

# HIT PLUS



## PERIPHERAL OPTIONS



POS & CDP



POS & 9.7" Dual monitor



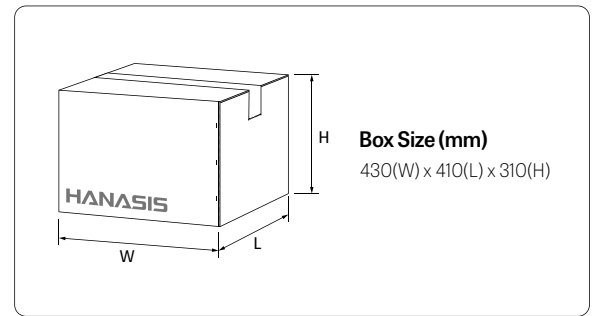
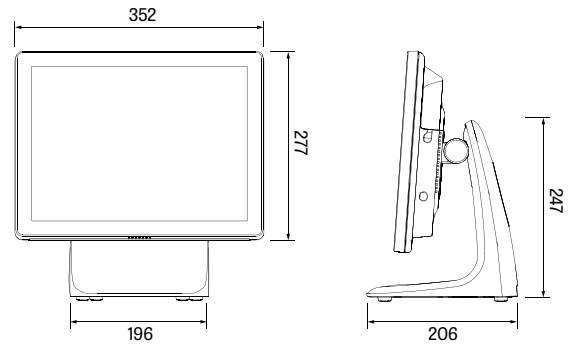
POS & 15" Dual monitor

## SPECIFICATIONS

<b>CPU &amp; Chipset</b>	Intel® Celeron Quad-Core Processor N5095 (4M Cache Upto 2.90 GHz) System on chip (SoC)
<b>Memory</b>	DDR4L 4GB SoDIMM (Up to 16GB)
<b>Storage</b>	2.5", SATA-III SSD 128GB (Up to 512GB) (Optional RAID; Ask for details)
<b>Display</b>	15", 1024 x 768, 24bit, Luminance : 350 cd/m <sup>2</sup> , Backlight : LED
<b>Touch Panel</b>	15", Projective Capacitive Touch (Bezelleless)
<b>HDMI</b>	1EA (Intel® HD Graphics)
<b>LAN</b>	1EA (RealTek RTL8111H Gigabit LAN)
<b>Serial</b>	5EA(DSUB-P9 x 2EA / RJ-45 x 2EA / RJ-11 x 1EA(MSR))
<b>USB</b>	USB 3.0 x 4EA(I/O), USB 2.0 x 2EA(Rear)
<b>Audio</b>	1EA (Line Out)
<b>Speaker</b>	1EA (1W)
<b>Cooler &amp; FAN</b>	Fanless
<b>Cash Drawer</b>	1EA(RJ-11) (DK Port Default : 24V/GPIO)
<b>Power Adaptor</b>	60[W] Adaptor, Input AC100-240V/50-60HZ, DC 24V/2.5A (DIN 3-Pin)
<b>Dimension (W x L x H) (mm)</b>	430(W) x 410(L) x 310(H) (BOX)
<b>Weight (kg)</b>	4.8kg

## DIMENSION

Unit : mm



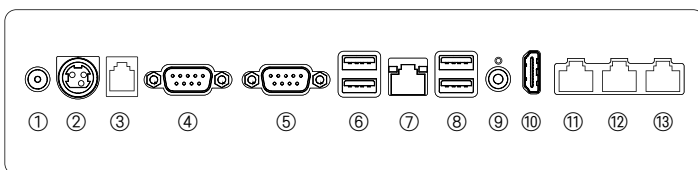
## OPTIONS

<b>OS</b>	Windows10 IoT / Windows 10 PRO ( Windows 11 PRO PC Version Only)
<b>Dual Display</b>	9.7"/15", TFT-LCD, 1024 x 768, LED Panel (Non-touch/PCAP Touch)
<b>Customer Display</b>	CDP Type 20 Characters x 2 Lines (Serial RS-232)
<b>Customer Card Reader</b>	Dual-Track(1&2) or Triple-Track(1&2&3) (USB)
<b>Case Color</b>	All Black / Black & White

## ORDER CODES

Product Code	Description
<b>HAN-HT5PBBAE4NNV3</b>	N5095, 4GB, 128GB, OS, All Black, V3 Stand
<b>HAN-HT5PBBBE4NNV3</b>	N5095, 4GB, 256GB, OS, All Black, V3 Stand
<b>HAN-HT5PBBAE8NNV3</b>	N5095, 8GB, 128GB, OS, All Black, V3 Stand
<b>HAN-HT5PBBBE8NNV3</b>	N5095, 8GB, 256GB, OS, All Black, V3 Stand

## I/O INTERFACES



### Description

- |                       |                         |
|-----------------------|-------------------------|
| ① DC-OUT (12V)        | ⑧ USB 3.0               |
| ② DC-IN (24V)         | ⑨ Audio Jack (Line Out) |
| ③ Cash Drawer (RJ-11) | ⑩ HDMI                  |
| ④ COM#1 (DSUB9P)      | ⑪ COM#3 (RJ-45)         |
| ⑤ COM#2 (DSUB9P)      | ⑫ COM#4 (RJ-45)         |
| ⑥ USB 3.0             | ⑬ COM#5 / MSR (RJ-45)   |
| ⑦ LAN (RJ-45)         |                         |

## COLOR



All Black



Black & White



\* Product's Design and Specifications Can be Changed Without Any Notification.

# HANASIS

HANASIS Co., Ltd. | <http://www.hanasis.com>  
17, Saneop-ro 155beon-gil, Gwonseon-gu, Suwon-si,  
Gyeonggi-do, 16648, South KOREA

Tel. +82 70 4732 5264  
Fax. +82 31 297 4381  
Email. [gsales@hanasis.com](mailto:gsales@hanasis.com)



HANASIS recommend Microsoft® Windows 10

