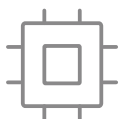


# ALBA POS



## KEY POINTS



### Processor

Intel® Celeron Quad-Core  
Jasper Lake



### Display

15" 1024 x 768



### Memory

4GB DDR4 SoDIMM  
Up to 16GB



### Touch Screen

Multi-point Capacitive  
Touch Panel



### Operating System

Windows 10 Iot



### Storage

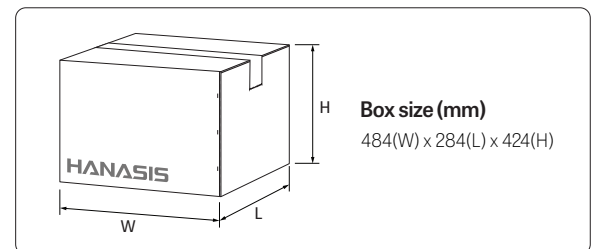
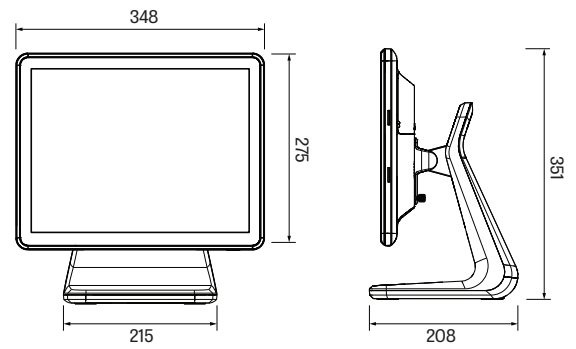
mSATA SSD 64GB  
Up to 256GB

## SPECIFICATIONS

<b>CPU &amp; Chipset</b>	Intel® Celeron Quad-Core Jasper Lake (4M Cache Upto 2.90 GHz) System on chip(SoC)
<b>Memory</b>	DDR4 4GB SoDIMM (Up to 16GB)
<b>Storage</b>	mSATA SSD 64GB (Up to 256GB)
<b>Display</b>	15", 1024 X 768, 24Bit, Luminance : 350 cd/m², Backlight : LED
<b>Touch Panel</b>	15", Projective Capacitive Touch (Bezelless type)
<b>HDMI</b>	1EA (Intel® HD Graphics)
<b>LAN</b>	1EA (RealTek RTL8111H Gigabit LAN)
<b>Serial</b>	5EA (DSUB-9P X 2EA / RJ-45 X 2EA / RJ-11 X 1EA(MSR))
<b>USB</b>	USB 3.0 X 4EA, USB 2.0 X 1EA (I/O)
<b>Audio</b>	1 EA (Line-Out)
<b>Speaker</b>	1 EA (1W)
<b>Cooler&amp;FAN</b>	Fanless
<b>Power Adaptor</b>	60[W] Adaptor, Input AC 100-240V/50-60HZ, DC 24V/2.5A (DIN 3-Pin)
<b>Dimension (W x L x H) (mm)</b>	490(W) x 290(L) x 440(H) (BOX)
<b>Weight (kg)</b>	5.1 kg

## DIMENSION

Unit : mm



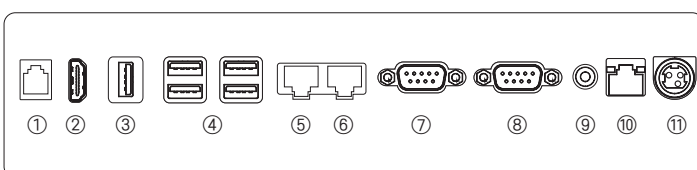
## OPTION

<b>OS</b>	Windows10 IoT / Windows 10 PRO * Windows 11 PRO PC Version only
<b>Dual Display</b>	9.7"/15", TFT-LCD, 1024 x 768, LED panel (Non-touch/PCAP Touch)
<b>Customer Display</b>	CDP Type 20 Characters x 2 Lines (Serial RS-232)
<b>Customer Card Reader</b>	Dual-Track(1&2) or Triple-Track(1&2&3) (USB)
<b>Case Color</b>	White / Black

## ORDER CODE

Product code	Description
<b>HAN-AL5PWWAE4NNZ1</b>	N5095, 4GB, 128GB, OS, White, Z1 Stand
<b>HAN-AL5PWWBE4NNZ1</b>	N5095, 4GB, 256GB, OS, White, Z1 Stand
<b>HAN-AL5PWWAE8NNZ1</b>	N5095, 8GB, 128GB, OS, White, Z1 Stand
<b>HAN-AL5PWWBE8NNZ1</b>	N5095, 8GB, 256GB, OS, White, Z1 Stand
<b>HAN-AL5PBBAE4NNZ1</b>	N5095, 4GB, 128GB, OS, Black, Z1 Stand
<b>HAN-AL5PBBBE4NNZ1</b>	N5095, 4GB, 256GB, OS, Black, Z1 Stand
<b>HAN-AL5PBBAE8NNZ1</b>	N5095, 8GB, 128GB, OS, Black, Z1 Stand
<b>HAN-AL5PBBBE8NNZ1</b>	N5095, 8GB, 256GB, OS, Black, Z1 Stand

## I/O INTERFACES



### Description

- ① MSR (RJ-11)
- ② HDMI
- ③ P-USB (Display Only)
- ④ USB 3.0
- ⑤ COM#4 (RJ-45)
- ⑥ COM#3 (RJ-45)
- ⑦ COM#2 (DSUB-9P)
- ⑧ COM#1 (DSUB-9P)
- ⑨ AUDIO JACK (Line-Out)
- ⑩ LAN (RJ-45)
- ⑪ DC-IN (24V)

## COLOR



※ Product's Design and Specifications can be changed without any notification.

# HANASIS

HANASIS Co., Ltd. | <http://www.hanasis.com>

17, Saneop-ro 155beon-gil, Gwonseon-gu, Suwon-si,  
Gyeonggi-do, 16648, South KOREA

Tel. +82 70 4732 5264  
Fax. +82 31 297 4381  
Email. [gsales@hanasis.com](mailto:gsales@hanasis.com)



HANASIS recommend Microsoft® Windows 10

